



CATALOGUE 2025

OUR MISSION

**ESSENTIAL GEAR,
EXCEPTIONAL PROTECTION.**

Our mission is simple: to provide private yacht owners with the finest products for their vessel's protection and aesthetics. With meticulous attention to detail and a commitment to uncompromising quality, we strive to exceed our customers' expectations at every turn.

OUR PRIORITIES

**GUARD YOUR YACHT,
EMBRACE THE SEA.**

At Yacht Fender, we believe that beauty and functionality should go hand in hand. Every product in our catalog is carefully curated, prioritizing Italian suppliers whenever possible to deliver an unmatched blend of style and extensive manufacturing expertise.

Moreover, we are dedicated to providing exceptional customer service, offering comprehensive support at every stage of your purchase





TABLE OF CONTENTS

4. MOORING WHIPS

6. WHIP SOCKET ADAPTER AND FENDER HOOKS

7. BOAT HOOK

8. WHY CHOOSE YACHT FENDER?

10. FENDERS

12. FENDER COVERS

Discover our new website
www.yachtfender.it
or CONTACT US at **info@yachtfender.it**

TENDER MOORING WHIPS - SET OF 2

Our mooring whips set consists of two whip poles (each pole is made up of two sections for easier portability and storage), equipped with two mooring lines and spinlocks, as well as a canvas pole bag with a zipper.

- Fiberglass tube with a white paint coating and a transparent finish
- POM-C (Acetal Resin) base sleeves to fit most mount bases, Ø 30mm
- All metal parts are stainless steel
- 10 Mt Gleistein Whip lines, with core 12-strand braid of Dyneema®
- Spinlock PXR Cam Cleat
- Spinlock and pulley attachment plate in 3K Torayca™ carbon fiber
- Proudly made in Italy, designed to ensure top performance and durability



Part N.	Total Length	Base Pole Length	Top Pole Length	Tender Length
YF.101	4.2 m	2.2 m	2 m	up to 6 m
YF.102	4.8 m	2.2 m	2.6 m	from 6 m to 10 m
YF.103	5.2 m	2.2 m	3 m	from 10 m to 14 m
YF.104	2.6 m (1 pz)	/	/	JETSKI and SEABOB



Spinlock PXR cam

- Fast precise control for hand tensioned lines
- Roller action ensures easy release under high load
- Hard anodised alloy cam and base
- Ideal for high performance lines
- Micro size for small diameters
- Three stage release control switch
- Resists accidental re-cleating



Gleistein Mega Twin Dyneema®

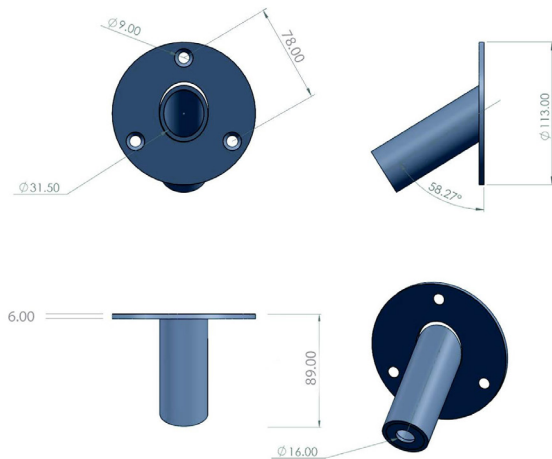
- SK78 fibres, Ø 5 mm, black,
- The line runs through an internal passage system
- Whipped on both sides

STANDARD STAINLESS STEEL BASE SET FOR MOORING WHIPS (2 PCS)

The Standard Stainless Steel Base Set provides durable, corrosion-resistant support for mooring whips, ensuring secure and reliable boat positioning in marine environments.

Part N.

YF.KIT100



Technical Specifications:

- Material: Stainless steel (polished finish)
- Base diameter: \varnothing 113.00 mm
- Inclination angle: 58.27°
- Central hole diameter (internal): \varnothing 31.50 mm
- Mounting hole diameter: \varnothing 9.00 mm
- Insertion tube diameter: \varnothing 16.00 mm





WHIP SOCKET ADAPTER

The whip hooks are designed with a sturdy metal bracket mounted on a flexible, padded surface. This padded surface ensures comfort and stability when secured to a structure such as a saddle or other equipment. The hooks have a cylindrical chrome-plated or stainless steel tube designed to hold long items, such as whips, poles, or similar tools.

FENDER HOOKS

YF's hand-crafted fender hooks are customized to fit the yacht's rail profile or bulwark.

Each piece ensures perfect fitting and preservation against wear on stainless steel or varnished surfaces. The core structure is a quality 316 stainless steel plate, precisely formed.

Our fender hooks feature premium sheep's wool for the underside, to guarantee the maximum protection of gelcoat. The outside is covered in exclusive marine grade, maintenance-free leather available in marine colours.

AVAILABLE LEATHER COLOUR:



AVAILABLE WOOL COLOUR:



FENDER HOOKS MODELS AVAILABLE:





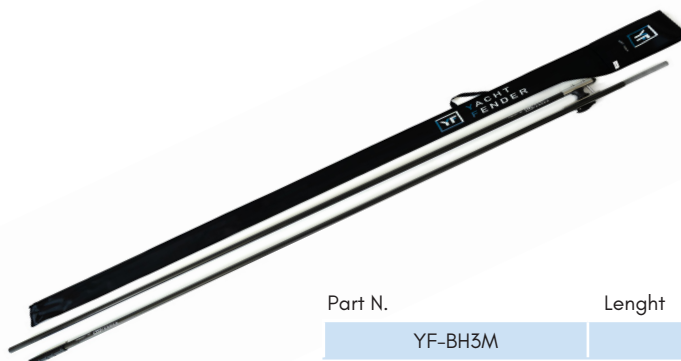
BOAT HOOK

Extra lightweight and easy to handle, this boat hook is made of TORAYCA™ carbon fiber and fiberglass, ensuring outstanding performance. The PVC handle provides exceptional grip, while the 316L stainless steel head and POM-C (Acetal Resin) pulley complete this practical yet refined sailing tool

- Carbon tube 3K Torayca™ and fiberglass, with transparent finish
- PVC handle
- Head in stainless steel 316L and pulley in POM-C (Acetal Resin)
- Cap in PE or HDPE.



Part N.	Length
YF-BH4M	4 m



Part N.	Length
YF-BH3M	3 m

WHY CHOOSE YACHT FENDER?

Superior Protection

Yacht Fender offers high-quality, durable fenders and accessories that ensure your yacht is protected from damage, keeping it in pristine condition during docking and mooring.

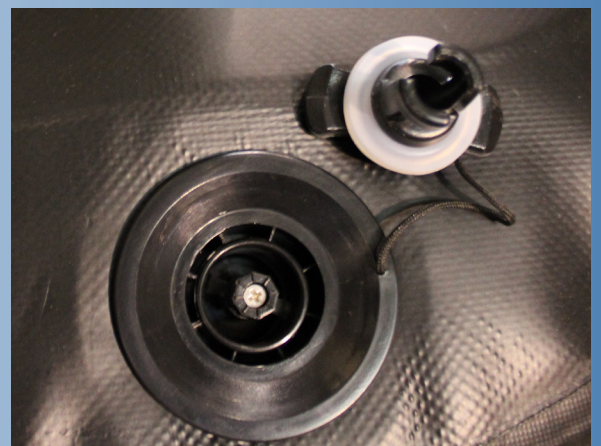


Tailored Solutions

We provide a wide range of customizable options, allowing you to choose the perfect fender size, material, and cover to match your yacht's specific needs and style.

Innovative Design

Our products are designed with the latest technology and materials, ensuring they not only perform exceptionally well but also enhance the overall aesthetic of your yacht.







INFLATABLE FENDERS

Our range is designed to suit yachts of all sizes and needs. Made from durable and resilient black PVC, 1.2 mm thick, with welded and glued seams, our fenders are built to withstand any weather or working conditions, ensuring long-lasting performance and reliability. Each fender comes with two key features: stainless steel attachment rings at the top and bottom, and a unique serial number for warranty purposes

Part N.	YF1242BK	YF1845BK	YF1858BK	YF2458BK	YF0304BK	YF0405BK	YF0307BK
Thickness	1.2 mm	1.2 mm	1.2 mm	1.2 mm	1.2 mm	1.2 mm	1.2 mm
D ring on top	1	1	1	1	3	4	3
D ring on bottom	1	1	1	1	3	4	3
Strengthened strips	2	2	2	2	2	2	2
Body Size	42 in	45 in	58 in	58 in	4 ft	5 ft	7 ft
Diameter	12 in	18 in	18 in	24 in	4 ft	5 ft	7 ft
Body Size (cm)	107	114	147	147	125	150	210
Diameter (cm)	30	46	46	61	90	125	90
Weight (kg)	2.35	3.8	4.8	6.7	9.8	15.3	14

YACHT FENDER GUIDE: SIZES AND QUANTITIES



Vessels up to 40m

8x	YF1845BK
2x	YF24BK



Vessels from 40m to 60m

8x	YF2458BK
2x	YF36BK



Vessels over 60m

8x	YF0307BK
2x	YF0405BK



INFLATABLE BALL FENDERS

Our ball fenders are designed for yachts of all sizes, made from durable 1.2 mm black PVC with welded seams for long-lasting performance. Their lightweight design ensures easy handling, saving time and energy for the crew. Featuring a stainless steel attachment ring and a unique serial number, they are quick to inflate via a standard valve, minimizing storage space during sea trips.

Part N.	YF24BK	YF30BK	YF36BK
Thickness	1.2 mm	1.2 mm	1.2 mm
D ring on top	1	1	1
D ring on bottom	1	1	1
Strengthened strips	1	1	1
Body Size	24 in	30 in	36 in
Diameter	24 in	30 in	36 in
Body Size (cm)	61	76	91
Diameter (cm)	61	76	91
Weight (kg)	2.50	4.5	6.4



INFLATORS



Electric Air Inflator DIDA-4, Deluxe Inflator 110 VAC

4.0 PHP. High volume air (3.25 PSI) power for rapid inflation or deflation of large inflatables.



Electric Air Inflator DIDA-4 Deluxe Inflator 220 VAC

High-performance model able to inflate any dinghy or inflatable structure very rapidly. 220 V, 175 mbar



BRAVO 2000 inflator 220 V 1200 l/min

High-performance model able to inflate any dinghy or inflatable structure very rapidly.



COLOURS AVAILABLE



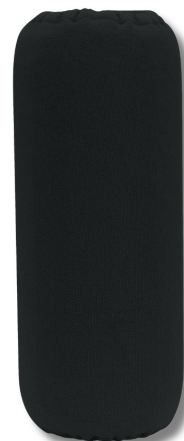
Features

Part N.

24"X66"- 61 X 167 Cm - PF8	YF2466C
24"X80"- 61 X 203 Cm	YF2480C
24"X96"- 61 X 244 Cm - PF9	YF2496C
26"X65"- 66 x 165 Cm	YF2665C
3'X4' - 91 x 122 Cm	YF0304C
3'X5'- 91x152 Cm	YF0305C
3'X6'- 91x183 Cm	YF0306C
3'X7' - 91 x 213 Cm	YF0307C
3'X10'- 91 x 305 Cm	YF0310C
4'X5' - 122 x 152 Cm	YF0405C
4'X6'- 122 x 183 Cm - PF14	YF0406C
4'X7'- 122 x 213 Cm	YF0407C
4'X10' - 122 X 305 Cm - PF15	YF0410C
4'X20' - 122 X 609 Cm	YF0420C
5'X7'- 152x213 Cm	YF0507C
5'X10'- 152x305 Cm	YF0510C
BF24 -61 Cm	YFBF24C
BF26-66 Cm	YFBF26C
BF28-71 Cm	YFBF28C
BF30-76 Cm	YFBF30C
BF36 -91 Cm	YFBF36C
BF38 -96 Cm	YFBF38C
BF48-122 Cm	YFBF48C



NAVY



BLACK

THESE ARE JUST TWO
EXAMPLES OF A WIDE RANGE
OF PRODUCTS AVAILABLE

Features	Part N.
9"X22" - 23 x 56 Cm	YF0922C
9"X30" - 23 x 76 Cm	YF0930C
12"X29" - 30 x 76 Cm	YF1229C
12"X40"- 30x102 Cm	YF1240C
12"X42" - 30 x 107 Cm - PF1	YF1242C
12"X58" - 30x147 Cm	YF1258C
12"X60"- 30x152 Cm - PF2	YF1260C
12"X72" - 30x183 Cm	YF1272C
12"X96" - 30x243 Cm	YF1296C
14"X36" - 35x91 Cm	YF1436C
14"X45" - 35x114 Cm	YF1445C
14"X58"- 35x147 Cm	YF1458C
16"X42"- 41 x 107 Cm - PF4	YF1642C
14"X60"- 41 x 152 Cm - PF5	YF1660C
18"X29" - 46 x 74 Cm	YF1829C
18"X42" - 46 X 107 Cm - PF6	YF1842C
18"X45"- 46 X 114 Cm	YF1845C
18"X58" - 46 X 147 Cm	YF1858C
18"X60" - 46 X 152 Cm	YF1860C
18"X66" - 46 X 167 Cm	YF1866C
18"X96" - 46 X 244 Cm	YF1896C
20"X52" - 51 X 132 Cm	YF2052C
24"X29"- 61 X 74 Cm	YF2429C
24"X42" - 61 X 107 Cm	YF2442C
24"X48" - 61 X 122 Cm	YF2448C
24"X58"- 61 X 147 Cm	YF2458C



ROYAL



LIGHT GREY

THESE ARE JUST TWO
EXAMPLES OF A WIDE RANGE
OF PRODUCTS AVAILABLE

**OUR FENDER COVERS ARE DESIGNED TO FIT
THE MAJOR BRANDS IN THE YACHTING INDUSTRY.**





COLOURS AVAILABLE



Features

Part N.

9"x22" - 23 x 56 Cm	YF0922N
9"x30" - 23 x 76 Cm	YF0930N
12"x42" - 30 x 76 Cm	YF1242N
12"x58" - 30 x 107 Cm - PF1	YF1258N
12"x72" - 30 x 147 Cm	YF1272N
12"x96" - 30 x 244 Cm	YF1296N
14"x36" - 35 x 91 Cm	YF1436N
14"x58" - 35x147 Cm	YF1458N
18"x29" - 46 x 74 Cm	YF1829N
18"x42" - 46 x 107 Cm - PF6	YF1842N
18"x45" - 46 x 114 Cm	YF1845N
18"x58" - 46 X 147 Cm	YF1858N
24"x29" - 61 x 74 Cm	YF2429N
24"x42" - 61 x 107 Cm	YF2442N
24"x58" - 61 x 147 Cm	YF2458N
24"x66" - 61 x 167 Cm - PF8	YF2466N
24"x96" - 61 x 244 Cm - PF9	YF2496N
26"x65" - 66 x 165 Cm	YF2665N



THIS IS JUST AN EXAMPLE OF A WIDE RANGE OF PRODUCTS AVAILABLE

**CUSTOM
EMBROIDERY AVAILABLE**

Features	Part N.
3'x4' - 91 x 122 Cm	YF0304N
3'x6' - 91x 183 Cm	YF0306N
3'x7' - 91 x 213 Cm	YF0307N
4'x5' - 122 x 152 Cm	YF0405N
4'x10' - 122 x 305 Cm - PF15	YF0410N
4'x20' - 122 x 609 Cm	YF0420N
24"x24" - 61 Cm	YF2424N
26x26" - 66 Cm	YF2626N
28x28" - 71 Cm	YF2828N
30x30" - 76 Cm	YF3030N
36x36" - 91 Cm	YF3636N
38x38" - 96 Cm	YF3838N
48x48" - 122 Cm	YF4848N

**OUR FENDER COVERS ARE DESIGNED TO FIT
THE MAJOR BRANDS IN THE YACHTING INDUSTRY.**



Fender Your Yacht, Master the Waves

Discover our new website
www.yachtfender.it
or CONTACT US at **info@yachtfender.it**

